



The BMS-S619-PIR-DC1-BLE-SR-O occupancy sensor uses PIR Motion Detector, Architecture and passive infrared (PIR) technology for improved detection coverage for ceiling or fixture mount, high bay, and low bay applications.

OVERVIEW

- PIR sensor.
- Bluetooth® SIG mesh.
- High-End Trim, Zoning, Continuous Bi-level Dimming.
- LED Motion indicator.
- Mounting height up to 40 ft .
- 360° coverage pattern.
- Low Voltage connector.

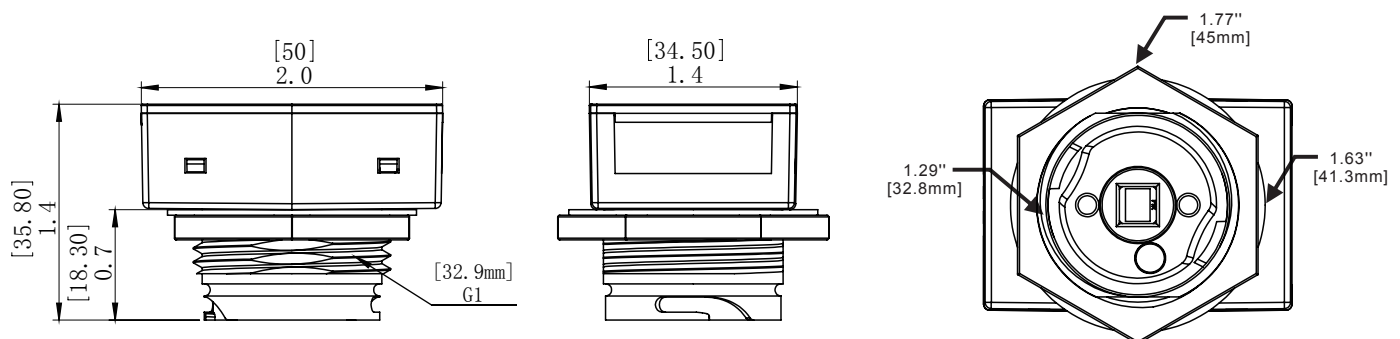
FEATURES AND BENEFITS

- Bluetooth mesh network.
- Built-in 25mA 0-10V signal output.
- Mesh network, which has a much longer control distance, transmits received signals to neighboring devices.
- In typical outdoor environment, the typical range for wireless communication is 200ft(60m).
- Actual range is dependent on site conditions.
- Available with Magnetic reset (Touch the top part of sensor for 5 seconds).
- On-board antenna.

TECHNICAL DATA

Motion Sensor	Passive Infrared (PIR)
Input Power	12-24VDC, >50mA
Control Output	0-10V, max 25mA sinking current
Mounting height	40ft(12m) Max.
Detection angle	360°
Low Bay Lens	Max.detection radius 30ft; Max.mounting height 8ft
High Bay Lens	Max.detection radius 30ft; Max.mounting height 40ft
Operating temperature	-4°F-140°F (-20°C-60°C)
IP rating	65
Max Bluetooth Range	200ft(60m)

PHYSICAL DIMENSIONS

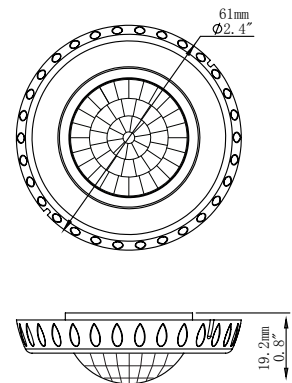
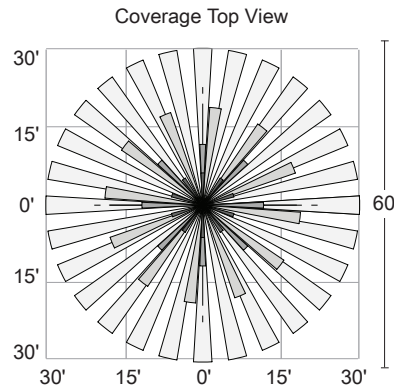
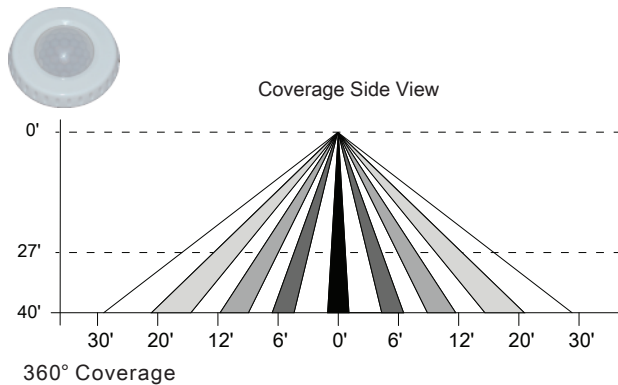


ORDERING INFORMATION

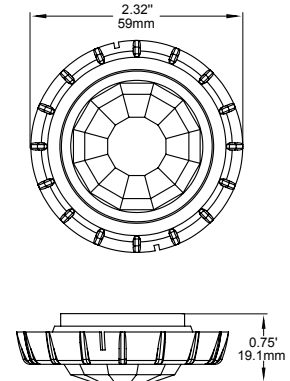
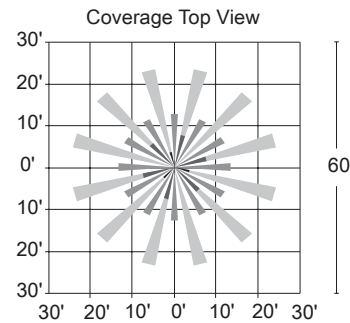
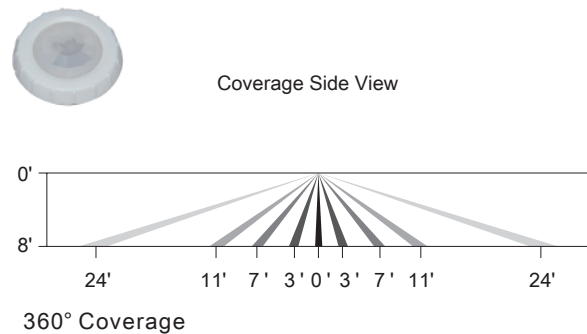
Model No.	Description	Input Voltage	Output	Mount
BMS-S619-PIR-DC1-BLE-SR-O	Passive Infrared (PIR) Occupancy Sensor with Bluetooth Mesh Feature	12-24VDC	0-10V	Built-in Mount With Enclosure for IP65
Add Suffix for Options	Description			
LS02-HB3-WH	360° High Bay Lens, Max.detection radius 30ft; Max.mounting height 40ft, white color			
LS02-LB4-WH	360° Low Bay Lens, Max.detection radius 30ft; Max.mounting height 8ft, white color			

DETECTION AREA

HB3 LENS

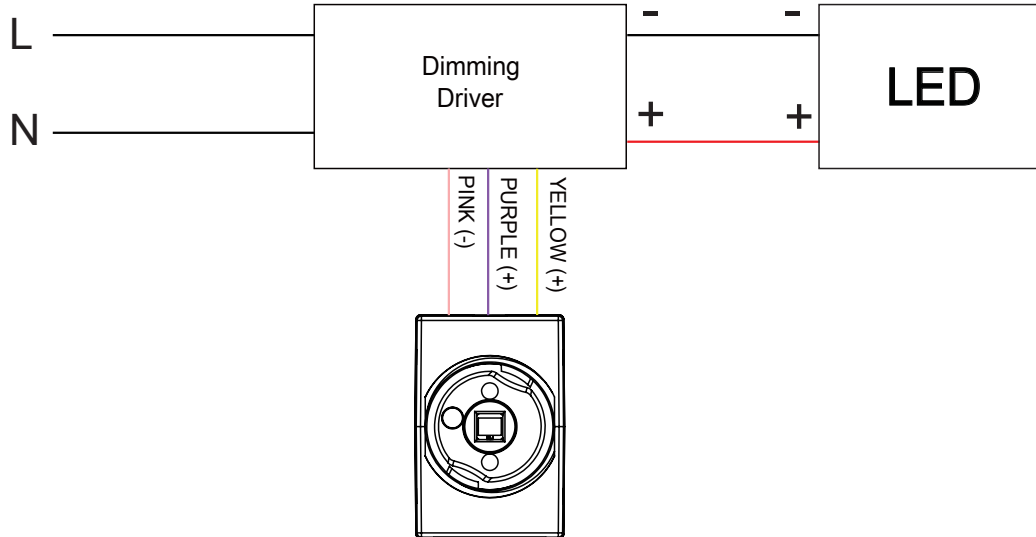


LB4 LENS

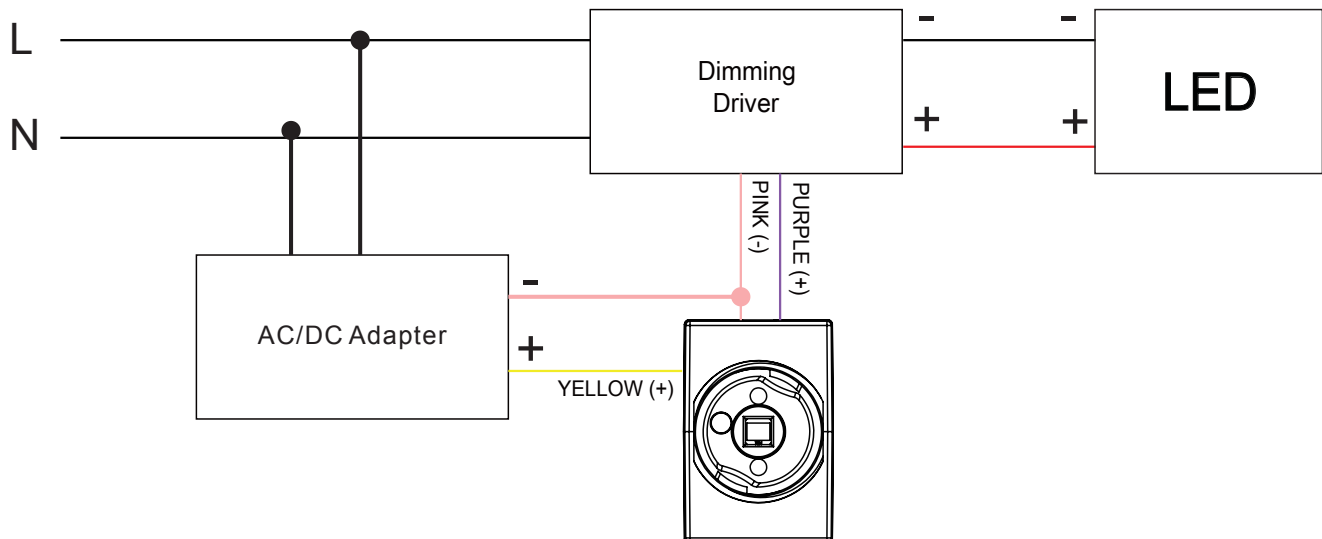


WIRING DIAGRAM

Wiring with 12-24V DC wire dimming ballast or LED driver.



Wiring for AC/DC Adapter with dimming ballast or led driver.



WARRANTY

Five year limited warranty.

Specifications subject to change without notice.